

SIKU® RB

84

60

124

 **SIMONSWERK**
SIKU® RB

The knuckle hinge system
for PVCu entrance doors

INDEX

SIKU RB

SIKU RB 5010 3D	up to 120 kg	drilling position 10.0 mm	4
SIKU RB 5015 3D	up to 120 kg	drilling position 11.5 mm	5
SIKU RB 5020 3D	up to 120 kg	drilling position 13.0 mm	6
Technical information			7
Drilling jigs			10



The knuckle hinge in detail elegant, resilient and secure.

SIKU RB - the knuckle hinge system for PVCu entrance doors.

The modern entrance door is characterized by different specifications. They represent the individual character of their occupants on the one hand whilst meeting the high performance requirements for burglar resistance, thermal protection and design. The hinge system chosen therefore takes an important role in this combination between design and function.

As a deliberate refinement of the well-known SIKU brand SIMONSWERK presents for the first time a knuckle hinge system for PVCu entrance doors. The knuckle hinge is spotlighted by its elegant visual appearance and opens up new design options for PVCu entrance doors, and this without affecting the design of the door. In addition to the standard white and brown finishes the stainless steel version particularly conveys the special character of the knuckle hinge SIKU RB.

Ambitious design and high performance technical qualities are the criteria for the SIKU RB hinge system. The knuckle hinge is suitable for all current profile types for continuous acoustic seal. Load capacity up to 120 kg, comfortable 3D-adjustment and a fast and efficient fitting complete the features of the new hinge system.

Features at a glance

- Elegant hinge knuckle design
- Also for continuous acoustic seal
- Comfortable 3D-adjustment
- Load capacities up to 120 kg
- Rational fitting thanks to positioning cams and screw-on technology
- Suitable for all current profile types
- Suitable for doors with leaf-enclosing infills
- Modern stainless steel version is alternatively available

SIMONSWERK
SIKU® RB

SIKU RB 5010 3D

for PVCu entrance doors - sash drilling position 10.0 mm

entrance door	drilling position 10.0 mm	up to 120 kg
---------------	---------------------------	--------------

Technical Data

Load capacity	120.0 kg
Knuckle length	140.0 mm
Knuckle diameter	20.0 mm
Material thickness	3.5 mm

Product features

- Elegant hinge knuckle design
- Continuous acoustic seal
- Hinge knuckle 140 mm long and 20 mm in diameter
- Comfortable 3D-adjustment
- Rational fitting thanks to positioning cams and screw-on technology
- Suitable for all current profile types
- Suitable for doors with leaf-enclosing infills
- Uniform tool kit (Torx T30)
- Modern stainless steel version is alternatively available

Installation Tools

Jig Drilling jig SIKU RB sim. fitting
Telescopic serial drilling jig SIKU RB sim. fitting

See page 10 and following

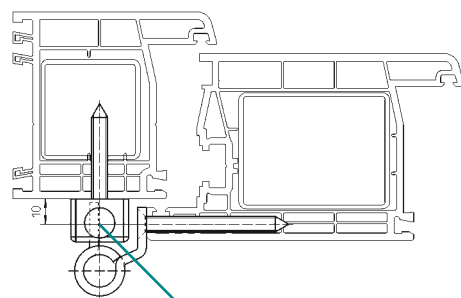
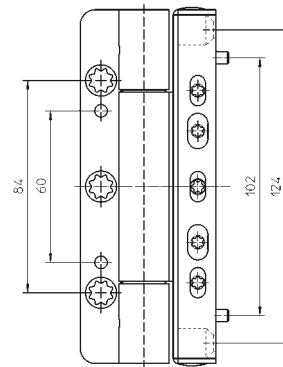
Finishes

traffic white - RAL 9016, brown - H9, satin brushed stainless steel

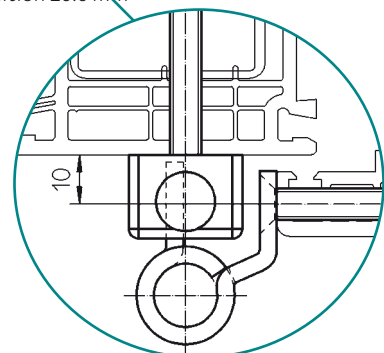
Note

Also available with security pin (MSTS).

Quality Marks



drilling position 10.0 mm





SIKU RB 5015 3D

for PVCu entrance doors - sash drilling position 11.5 mm

entrance door	drilling position 11.5 mm	up to 120 kg
---------------	---------------------------	--------------

Technical Data

Load capacity	120.0 kg
Knuckle length	140.0 mm
Knuckle diameter	20.0 mm
Material thickness	3.5 mm

Product features

- Elegant hinge knuckle design
- Continuous acoustic seal
- Hinge knuckle 140 mm long and 20 mm in diameter
- Comfortable 3D-adjustment
- Rational fitting thanks to positioning cams and screw-on technology
- Suitable for all current profile types
- Suitable for doors with leaf-enclosing infills
- Uniform tool kit (Torx T30)
- Modern stainless steel version is alternatively available

Installation Tools

Jig	Drilling jig SIKU RB sim. fitting Telescopic serial drilling jig SIKU RB sim. fitting
-----	--

See page 10 and following

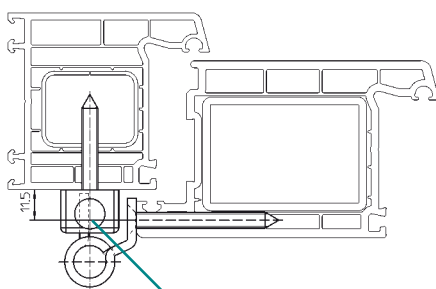
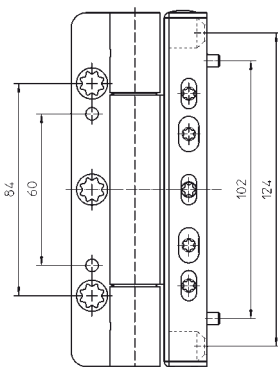
Finishes

traffic white - RAL 9016, brown - H9, satin brushed stainless steel

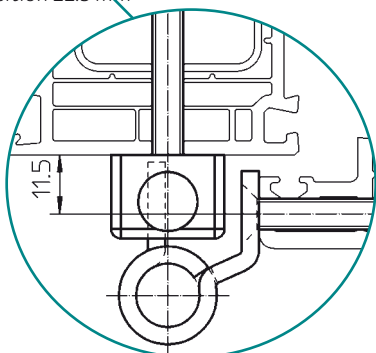
Note

Also available with security pin (MSTS).

Quality Marks



drilling position 11.5 mm



SIMONSWERK
SIKU® RB

SIKU RB 5020 3D

for PVCu entrance doors - sash drilling position 13.0 mm

entrance door	drilling position 13.0 mm	up to 120 kg
---------------	---------------------------	--------------

Technical Data

Load capacity	120.0 kg
Knuckle length	140.0 mm
Knuckle diameter	20.0 mm
Material thickness	3.5 mm

Product features

- Elegant hinge knuckle design
- Continuous acoustic seal
- Hinge knuckle 140 mm long and 20 mm in diameter
- Comfortable 3D-adjustment
- Rational fitting thanks to positioning cams and screw-on technology
- Suitable for all current profile types
- Suitable for doors with leaf-enclosing infills
- Uniform tool kit (Torx T30)
- Modern stainless steel version is alternatively available

Installation Tools

Jig Drilling jig SIKU RB sim. fitting
Telescopic serial drilling jig SIKU RB sim. fitting

See page 10 and following

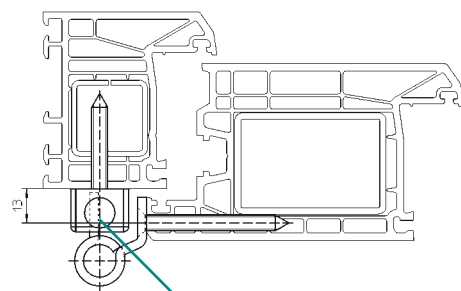
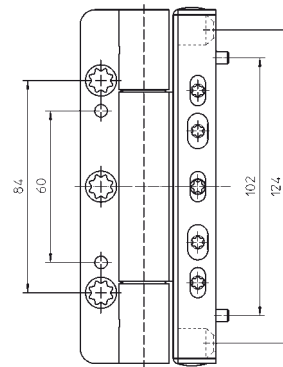
Finishes

traffic white - RAL 9016, brown - H9, satin brushed stainless steel

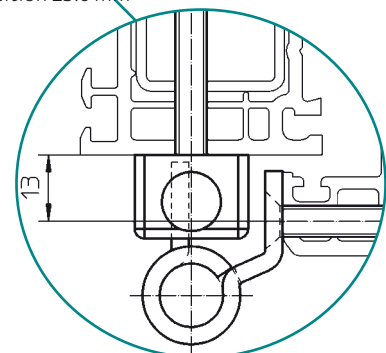
Note

Also available with security pin (MSTS).

Quality Marks



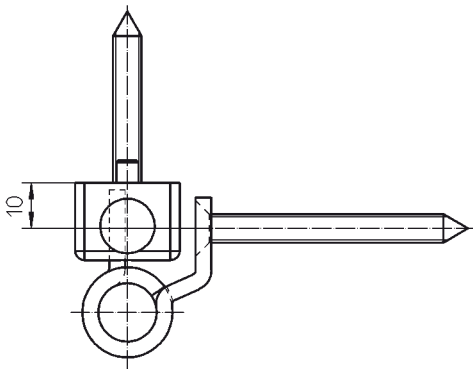
drilling position 13.0 mm



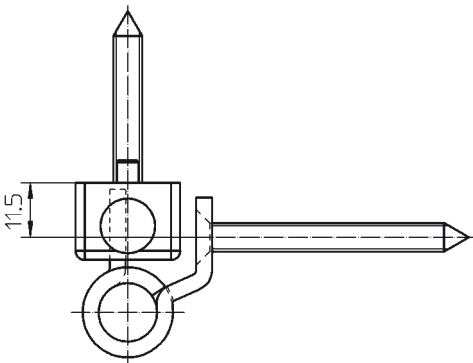
Selections of drilling / screw positions

The following illustration shows the selection of drilling- and screw positions for SIKU RB hinges. Please identify the correct hinge type for your profile combination. You will find further details in our product information system www.bandsysteme.com.

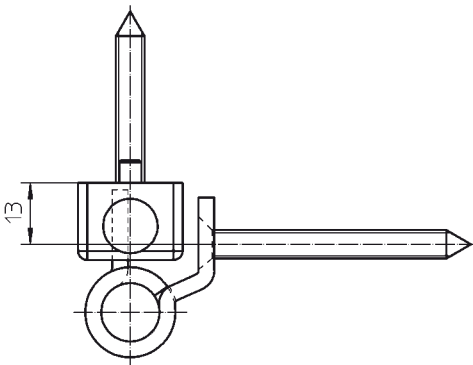
sash drilling position



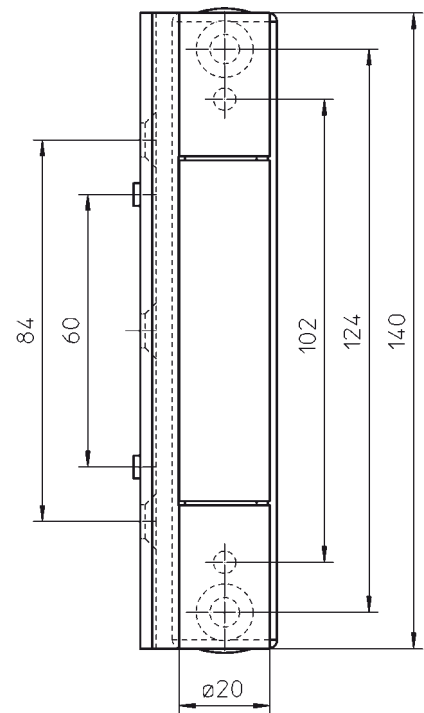
SIKU RB 5010 3D – drilling position 10.0 mm



SIKU RB 5015 3D – drilling position 11.5 mm



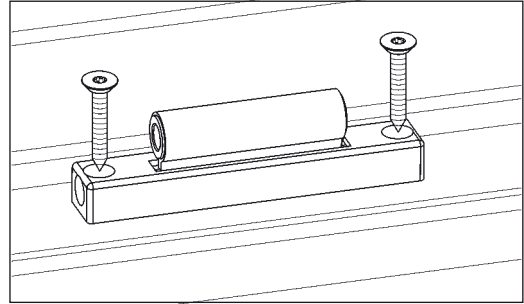
SIKU RB 5020 3D – drilling position 13.0 mm



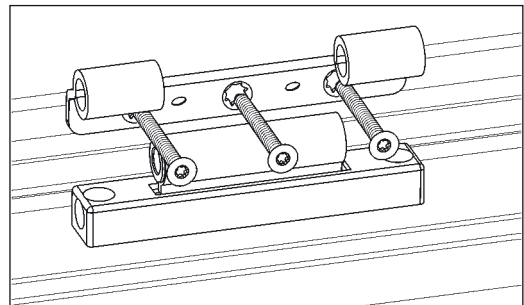
FITTING

Fitting

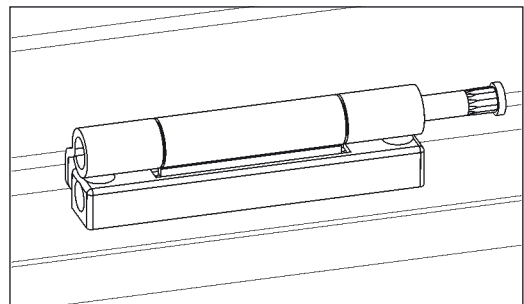
- 1 Mount the frame part by feeding the stabilization cams into the holes and fix it by using enclosed screws (6.3 x 38 mm).



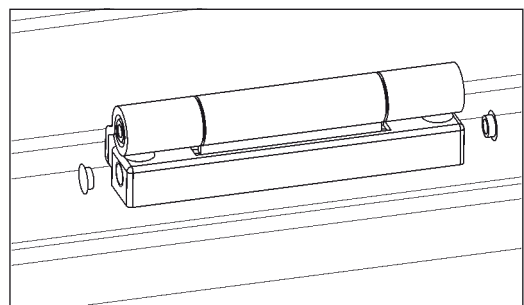
- 2 Mount door part with positioning cams in the sash holes and fix it by using enclosed screws (6.3 x 60 mm) (max. torque 6 Nm).



- 3 Set the sash in the frame and insert the hinge pin.

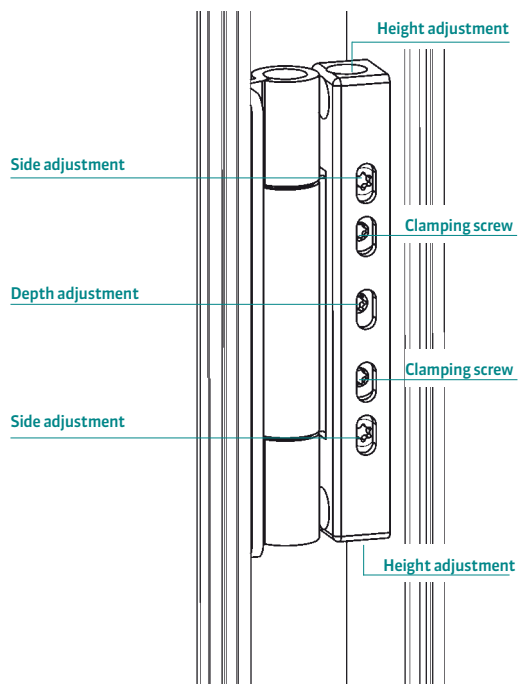


- 4 Mount the PVCu cover caps.



We recommend the security pin version (MSTs) for exterior doors.

ADJUSTMENT



3D Adjustment

Three-dimensionally, continuously adjustable

Side	+/- 3.0 mm
Height	+/- 3.0 mm
Depth	+/- 1.5 mm

Side adjustment

- Open the door
- Turn both side adjustment screws equally to avoid tensions!

Depth adjustment

- Open the door
- Loosen the clamping screws slightly. Position the door by means of eccentric
- Retighten the clamping screws

Height adjustment

- Open the door
- Turn back the upper height adjustment screw
- Position the door by means of lower height adjustment screw
- Turn back the upper height adjustment screw until you feel slight resistance

SIMONSWERK
SIKU® RB

Drilling jig SIKU RB simultaneous fitting

Compact drilling jig with enduring hardened steel bushes for quick simultaneous mounting in manual installation.

Applicable for

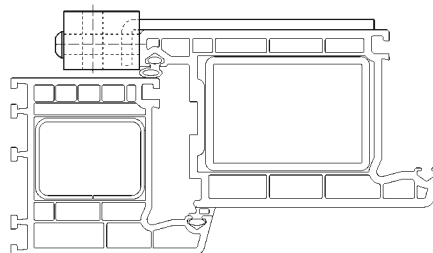
Series SIKU RB 5...

The complete jig consists of

- 1 drilling jig
- 1 drill bit 5 mm
- 1 Torx key T30

Process steps

1. Place the sash into the frame, apply spacers for the clearance following the recommendations of the profile manufacturer.
2. Determine the hinge position and clamp the drilling jig.
3. Drill holes by using Ø 5 mm drill bit.





Telescopic serial drilling jig SIKU RB simultaneous fitting

With this telescopic serial drilling jig the door leaves and frames can be fitted efficiently.

Applicable for

Series SIKU RB 5...

The complete jig consists of

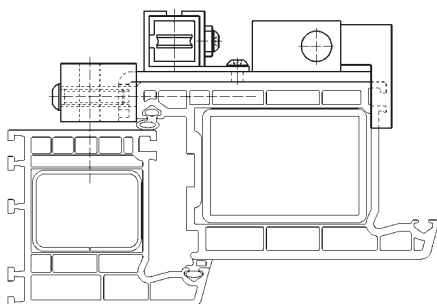
- 1 Telescope jig
- 2 end stops
- 1 drill bit 5 mm
- 1 Torx key T30

Process steps

1. Adjust both end stops so that they are the same in relation to the top and bottom jig. The jig can now be used for right and left hand.
2. Place the sash into the frame and apply spacers for the clearance - following the recommendations of the profile manufacturer.
3. Place telescopic serial drilling jig onto the door leaf and move the outer jigs so that the stops lie against the top and bottom of the sash (the middle jig is centred automatically).
4. Clamp the jig and drill the holes by using 5 mm drill bit.

Note

The telescopic serial drilling jig SIKU RB is right and left hand applicable.



CONTENTS

 **SIMONSWERK**
SIKU® RB

SIKU RB 5010 3D
SIKU RB 5015 3D
SIKU RB 5020 3D

FURTHER BRANDS MADE BY SIMONSWERK

 **SIMONSWERK**
TECTUS®

 **SIMONSWERK**
VARIANT® VX

 **SIMONSWERK**
VARIANT® VN

 **SIMONSWERK**
VARIANT® VG

 **SIMONSWERK**
VARIANT® V

 **SIMONSWERK**
BAKA®

 **SIMONSWERK**
ALPRO®

SIKU® RB

Brochure SIKU® RB



09/2010
5 800327 0 00001/2.0

SIMONSWERK do not accept responsibility for misprints and subsequent specification changes although every effort has been made to avoid any errors during preparation of this brochure.

OUR PRODUCT INFORMATION SYSTEM
www.bandsysteme.com

SIMONSWERK GmbH

Bosfelder Weg 5
33378 Rheda-Wiedenbrück
Germany

Fon +49 (0)5242 / 413-0
Fax +49 (0)5242 / 413-260

sales@simonswerk.de
www.simonswerk.com
www.bandsysteme.com

SIMONSWERK UK Ltd.

Burcot Works, Spring Street
UK - Tipton, West Midlands DY4 8TF

Phone 0121 522 2848
Fax 0121 557 7042

sales@simonswerk.co.uk
www.simonswerk.co.uk