

SIKU® 3D



 **SIMONSWERK**
SIKU® 3D

The 3D adjustable
hinge system for PVCu
entrance doors

INDEX

SIKU 3D K 3030	up to 120 kg	Angular cams	4
SIKU 3D K 3035	up to 120 kg	Robust barbs	5
SIKU 3D K 4040	up to 80 kg	Angular cams	6
SIKU 3D K 4045	up to 80 kg	Flexible fixing	7
Fitting instructions			8
Adjustment			9
Jigs			10



Excellent, when everything fits together ...
... in design, function and quality.

»SIKU 3D« – Slim shapes offering maximum load capacity

No PVCu door is like the next one. For each entrance door or side-entrance door fulfils its own special purpose and has its own type of profile. This requires a flexible and adaptable hinge system and, in addition, the demand to adopt the slim, well-proportioned design of modern doors. SIKU 3D is a hinge system that has especially been developed and continuously been optimized to match perfectly the requirements of PVCu doors.

Rounded edges, appropriate knuckle diameters and cover caps provide a harmonic visual appearance. Nevertheless, SIKU 3D's technical features are convincing. These are in particular the high load capacity up to 120 kg, the comfortable, three-dimensional adjustment even when the door is closed, and the remarkably easy fitting.

Aesthetically harmonized, high-quality workmanship, and the high technical standard are the demands met by SIKU 3D.

SIMONSWERK
SIKU® 3D

SIKU 3D K 3030

for PVCu entrance doors with angular fixing cams

Entrance Door	overlap 15–19 mm	up to 120 kg
---------------	------------------	--------------

Technical Data

Load capacity	120,0 kg
Hinge size	105,0 mm
Knuckle diametre	24,0 mm

Descriptive text

SIMONSWERK entrance door hinge SIKU 3D K 3030 for overlap thicknesses of 15-19 mm, sash part with angular cams for extreme pull-out strength on PVCu entrance doors. CE certified, load capacity 120 kg, knuckle length 105 mm, knuckle diametre 24 mm, right hand and left hand applicable. Three-dimensionally adjustable: Height +5/-1 mm, side +/- 5 mm, depth +/-2 mm. Standard with security pin, maintenance-free slide bearings. Finishes...

To be fitted with

Jig Drilling jig SIKU 3D simultaneous fitting
Telescope serial drilling jig SIKU 3D simultaneous fitting
see pages 10-11

Model types

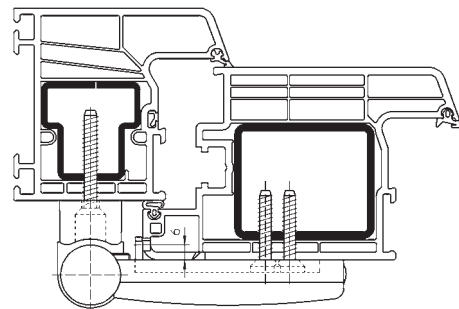
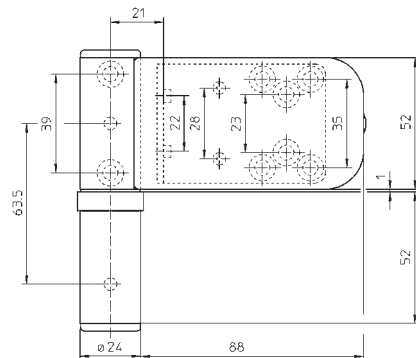
SIKU 3D	K 3130 overlap 18-22 mm
	K 3230 overlap 21-25 mm
	K 3330 overlap 24-28 mm

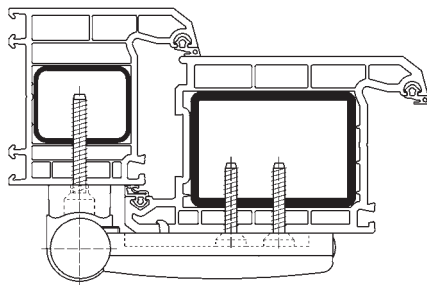
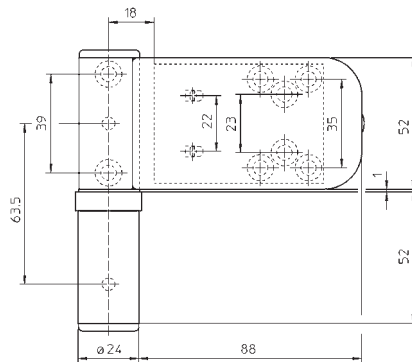
For detailed information regarding the different types please visit www.bandsysteme.de

Finishes

traffic white - RAL 9016, brown - H 9

Quality Marks





SIKU 3D K 3035

for PVCu entrance doors with robust barbs for flexible fixing

Entrance Door	overlap 15–19 mm	up to 120 kg
---------------	------------------	--------------

Technical Data

Load capacity	120,0 kg
Hinge size	105,0 mm
Knuckle diametre	24,0 mm

Descriptive text

SIMONSWERK entrance door hinge SIKU 3D K 3035 for overlap thicknesses of 15-19 mm, sash part with robust barbs for flexible fixing on PVCu entrance doors. CE certified, load capacity 120 kg, knuckle length 105 mm, knuckle diametre 24 mm, right hand and left hand applicable. Three-dimensionally adjustable: Height +5/-1 mm, side +/- 5 mm, depth +/- 2 mm. Standard with security pin, maintenance-free slide bearings.

To be fitted with

Jig Drilling jig SIKU 3D simultaneous fitting
Telescope serial drilling jig SIKU 3D simultaneous fitting
see pages 10-11

Model types

SIKU 3D	K 3135 overlap 18–22 mm
	K 3235 overlap 21–25 mm
	K 3335 overlap 24–28 mm

For detailed information regarding the different types please visit www.bandsysteme.de

Finishes

traffic white - RAL 9016, brown - H 9

Quality Marks



SIMONSWERK SIKU® 3D

SIKU 3D K 4040

for lighter weight PVCu entrance doors and side-entrance doors with angular fixing cams

Entrance Door	overlap 15–19 mm	up to 80 kg
---------------	------------------	-------------

Technical Data

Load capacity	80,0 kg
Hinge size	100,0 mm
Knuckle diameter	21,0 mm

Descriptive text

SIMONSWERK entrance door hinge SIKU 3D K 4040 for overlap thicknesses of 15-19 mm, sash part with angular cams for extreme pull-out strength on lighter weight PVCu entrance doors and side-entrance doors. CE certified, load capacity 80 kg, knuckle length 100 mm, knuckle diameter 21 mm, right hand and left hand applicable. Three-dimensionally adjustable: Height +5/-1 mm, side +/- 5 mm, depth +/- 2 mm. Standard with security pin, maintenance-free slide bearings. Finishes...

To be fitted with

Jig Drilling jig SIKU 3D simultaneous fitting
Telescope serial drilling jig SIKU 3D simultaneous fitting
see pages 10-11

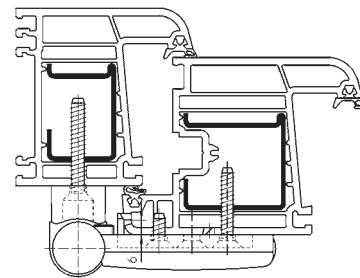
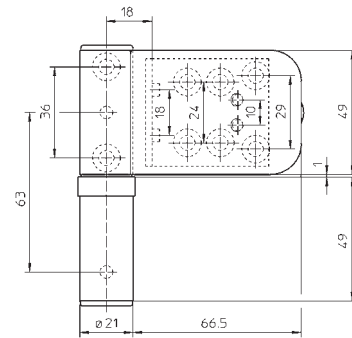
Model types

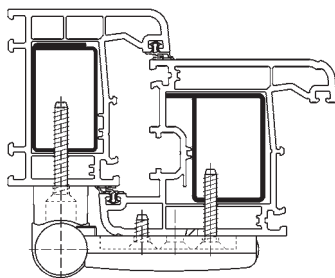
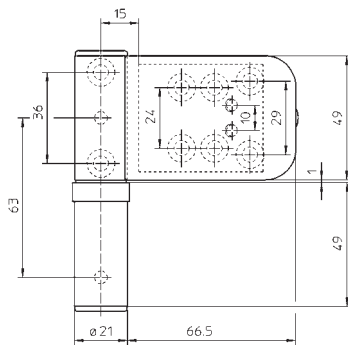
SIKU 3D	K 4140 overlap 18-22 mm
	K 4240 overlap 21-25 mm
	K 4340 overlap 24-28 mm

For detailed information regarding the different types please visit
www.bandsysteme.de

Finishes

traffic white - RAL 9016, brown - H 9





SIKU 3D K 4045

for lighter weight PVCu entrance doors and side-entrance doors with robust bars for flexible fixing

Entrance Door	overlap 15–19 mm	up to 80 kg
---------------	------------------	-------------

Technical Data

Load capacity	80,0 kg
Hinge size	100,0 mm
Knuckle diameter	21,0 mm

Descriptive text

SIMONSWERK entrance door hinge SIKU 3D K 4045 for overlap thicknesses of 15-19 mm, sash part with robust bars for flexible fixing on lighter weight PVCu entrance doors and side-entrance doors. CE certified, load capacity 80 kg, knuckle length 100 mm, knuckle diameter 21 mm, right hand and left hand applicable. Three-dimensionally adjustable: Height +5/-1 mm, side +/- 5 mm, depth +/-2 mm. Standard with security pin, maintenance-free slide bearings. Finishes...

To be fitted with

Jig Drilling jig SIKU 3D simultaneous fitting
Telescope serial drilling jig SIKU 3D simultaneous fitting
see pages 10-11

Model types

SIKU 3D	K 4145 overlap 18–22 mm
	K 4245 overlap 21–25 mm
	K 4345 overlap 24–28 mm

For detailed information regarding the different types please visit www.bandsysteme.de

Finishes

traffic white - RAL 9016, brown - H 9

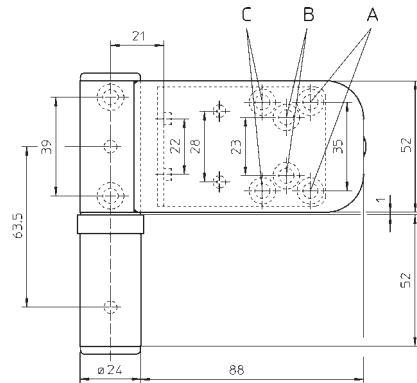
FITTING INSTRUCTIONS

Selections of drilling / screw positions

Three positions are available for fixing: A, B and C.

To achieve highest stability two positions should be chosen according to the profile.

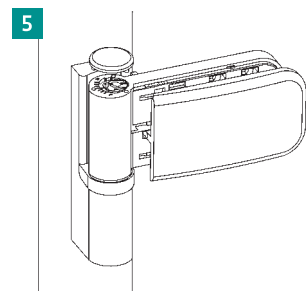
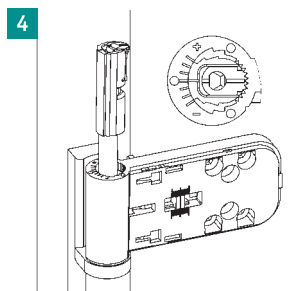
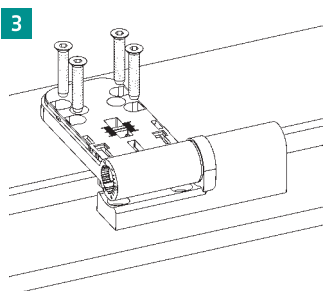
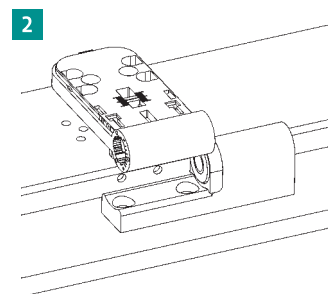
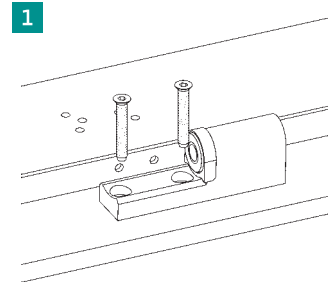
The sash part is to be fixed by means of the enclosed screws.



The fitting

- 1 Mount the frame part of the hinge by feeding the dowels into the holes and fix it by using enclosed screws.
- 2 Mount the sash part of the hinge by moving it slightly circular into the holes.
- 3 Fix the sash part of the hinge by using the enclosed screws (positions determined by drilled holes).
- 4 Insert hinge pin, make sure that the gearing of the pin fully engages the gearing of the sash part.
- 5 Put on cover cap and slide it forward.

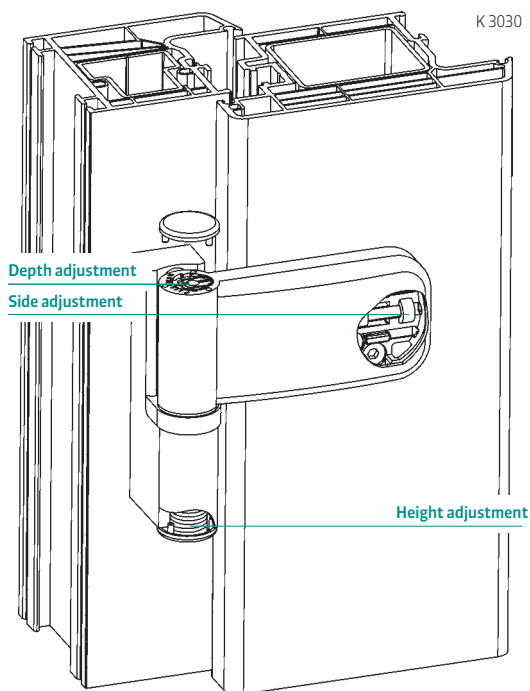
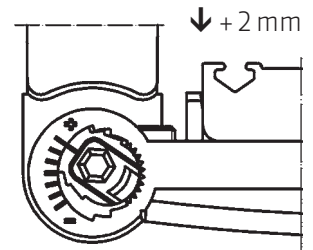
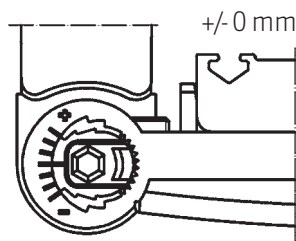
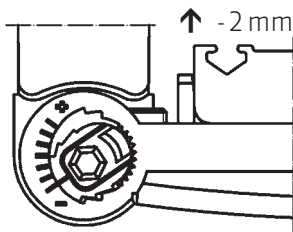
On outward opening doors the cover cap should be secured by fastening the grub screw.



ADJUSTMENT

Continuous adjustment to the overlap

The overlap can be adjusted up to ± 2 mm to the different profiles by moving the hinge pin right or left.



Adjustment (when the door is closed)

Three-dimensional, continuous adjustment

Side	$\pm 5,0$ mm
Height	$+5,0/-1,0$ mm
Depth	up to $\pm 2,0$ mm

Side adjustment

- Remove lateral cover plug
- Adjust self-locking screw by using Allen key SW 4
- Side adjustment ± 5 mm.
- Re-fit plug

Height adjustment

- Remove cover cap at the bottom
- Adjust in height by using Allen key SW 4
- Door can be lifted by max. 5 mm resp. dropped by 1 mm from the initial position (as-delivered condition).
- Re-fit cover cap

Depth adjustment

- Remove cover cap at the top
- Adjust the compression by turning Allen key SW 4 left and right
- Re-fit cover cap

All adjustments are to be done by using a 4 mm Allen key.

SIMONSWERK
SIKU® 3D

Drilling jig SIKU 3D simultaneous fitting

Solid drilling jig in fibre reinforced plastic with hardened steel bushes for simultaneous fitting in individual production.

Applicable for

Series SIKU 3D K 3...

Series SIKU 3D K 4...

The complete jig consists of

- 1 drilling jig
- 1 drill bit Ø 5 mm
- 1 Allen key 4 mm
- 1 Fitting Instruction

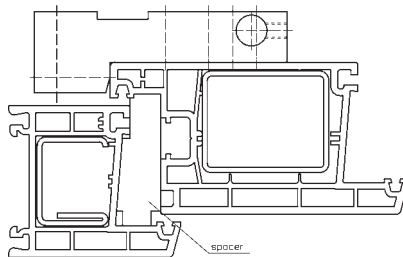
Steps of installation

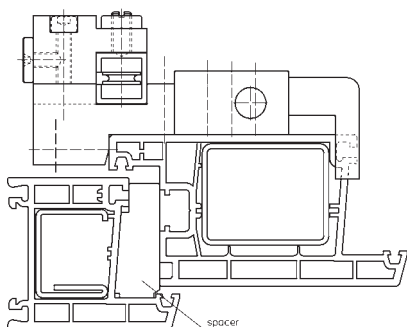
1. Place the sash into the frame, apply spacers for the clearance following the recommendations of the profile manufacturer.
2. Determine the hinge position and clamp the drilling jig.
3. Drill holes by using 5 mm drill bit.

Note

Please specify the exact hinge in your order.

See also telescope serial drilling jig SIKU 3D simultaneous fitting.





Telescope serial drilling jig SIKU 3D simultaneous fitting

With this telescope serial drilling jig the door leaves and frames can be fitted rationally.

The middle drilling jig is centred automatically by a cable pull mechanism.

Applicable for right- and left-hand.

Applicable for

Series SIKU 3D K 3...

Series SIKU 3D K 4...

The complete jig consists of

- 3 drilling jigs
- 6 connecting pieces
- 1 square tube with cable pull mechanism
- 2 end stops
- 1 drill bit Ø 5 mm
- 1 Allen key 4 mm
- 1 Fitting Instruction

Steps of installation

1. Adjust both end stops so that they are the same in relation to the top and bottom jig. The jig can now be used for right and left hand.
2. Place the sash into the frame, apply spacers for the clearance following the recommendations of the profile manufacturer.
3. Place telescope serial drilling jig onto the door leaf and move the outer jigs so that the stops lie against the top and bottom of the sash (the middle jig is centred automatically).
4. Clamp the jig and drill the holes by using 5 mm drill bit.

Note

Please specify the exact hinge in your order.

See also drilling jig SIKU 3D simultaneous fitting.

CONTAINS

 **SIMONSWERK**
SIKU® 3D

K 3030
K 3035
K 4040
K 4045

FURTHER BRANDS MADE BY SIMONSWERK

 **SIMONSWERK**
TECTUS®

 **SIMONSWERK**
VARIANT® VX

 **SIMONSWERK**
VARIANT® VN

 **SIMONSWERK**
VARIANT® VG

 **SIMONSWERK**
VARIANT® V

 **SIMONSWERK**
BAKA®

 **SIMONSWERK**
ALPRO®

SIKU® 3D

Brochure SIKU® 3D

04/2008
5 800272 0 00001/1.0



SIMONSWERK GmbH

Bosfelder Weg 5
D-33378 Rheda-Wiedenbrück

www.simonswerk.com
www.bandsysteme.de