

# Installation accessories

... for windows and doors







## Holdfast/Fixing plate for windows and doors



### Holdfast no. 250

with cut tip, for hammering

**Finishes available:**

galvanised

**Packing unit:**

100 pieces

**Technical details:**

Size mm	Material mm
80	10 x 4
100	10 x 4
120	10 x 4
140	10 x 5
160	10 x 5



### Fixing plate no. 270

with 4 nail holes Ø 6 mm

**Finishes available:**

galvanised

**Packing unit:**

100 pieces

**Technical details:**

Size mm	Material mm
100	22 x 1.5
120	22 x 1.5
150	22 x 1.5
200	22 x 1.5

## Sash support for wooden and PVCu windows Installation anchor

### Sash support no. 301

no. 301/0 without sash part  
no. 301/2 sash part for drilling in  
no. 301/3 sash part for screwing on

#### Finishes available:

galvanised and yellow galvanised  
no. 301/0 and no. 301/3 also in white and brown  
powder coated

#### Packing unit:

100 pieces



Sash support no. 301/0  
without sash part



sash part no. 301/2  
for drilling in



sash part no. 301/3  
for screwing on

### Installation anchor no. 240

for wooden window installation,  
nail hole  $\varnothing$  5.0 mm  
plug hole  $\varnothing$  8.5 mm

#### Finishes available:

galvanised

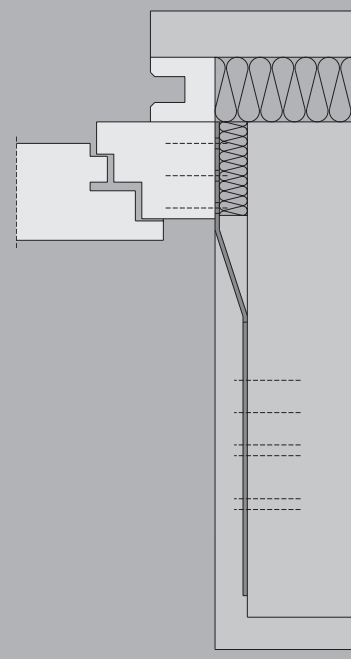
#### Packing unit:

100 pieces



#### Technical details:

Size mm	Material mm
220	37 x 2



## Installation strap/Fixing claws



### Installation strap no. 290

for universal application,  
nail holes  $\varnothing$  4.0 mm  
plug holes  $\varnothing$  6.5 and 8.5 mm

**Finishes available:**

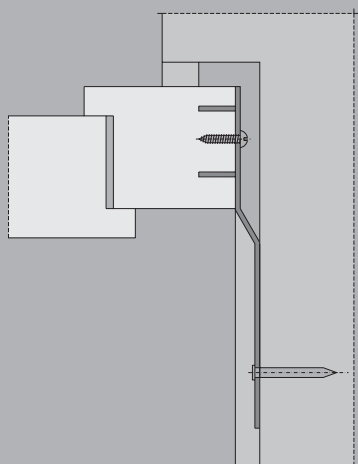
galvanised

**Packing unit:**

25 m per roll

**Technical details:**

Total width mm	Material mm
25	1



### Fixing claw, heavy duty no. 271

for wooden window installation,  
nail hole  $\varnothing$  4.5 mm  
plug hole  $\varnothing$  8.5 mm  
**claw interval 25 mm**

**Finishes available:**

galvanised

**Packing unit:**

100 pieces

**Technical details:**

Size mm	Material mm
140	25 x 2

## Fixing claws

## FASTENING MEANS

### Fixing claw, heavy duty no. 271/35

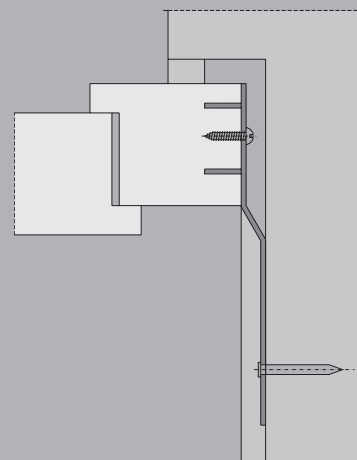
for wooden window installation,  
nail hole  $\varnothing$  4.5 mm  
plug hole  $\varnothing$  8.5 mm  
**claw interval 35 mm for thicker frame profiles**

**Finishes available:**

galvanised

**Packing unit:**

100 pieces



**Technical details:**

Size mm	Material mm
140	25 x 2

### Fixing claw no. 272

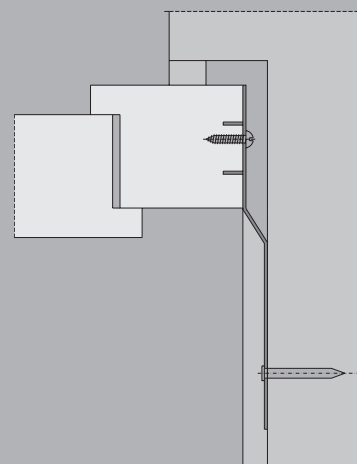
for wooden window installation,  
nail hole  $\varnothing$  4.5 mm  
plug hole  $\varnothing$  6 mm

**Finishes available:**

galvanised

**Packing unit:**

100 pieces



**Technical details:**

Size mm	Material mm
140	20 x 1.25

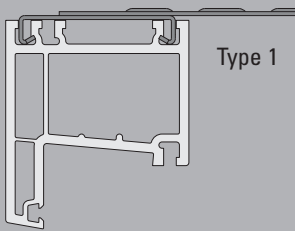
**Note:**

Also available as self service pack!

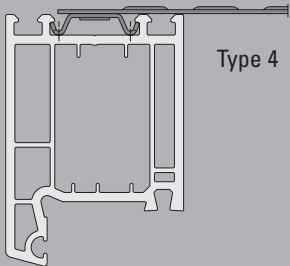
**Contents:** 6 pieces in PE bag

## SIKU fixing lug for PVCu profiles

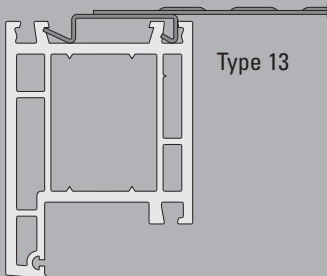
### FASTENING MEANS



Type 1



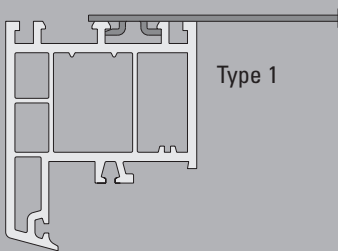
Type 4



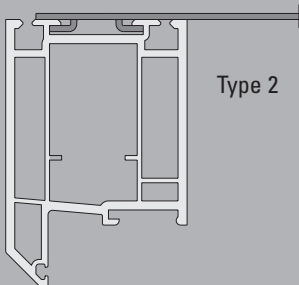
Type 13

#### Note:

The SIKU fixing lug for PVCu profiles listed here are held in stock. Special designs on request!



Type 1



Type 2

#### Note:

The SIKU fixing lug for PVCu profiles listed here are held in stock. Special designs on request!



### SIKU fixing lug no. 277

Nail holes Ø 4.5 mm

plug holes Ø 8.5 mm

**Type 1** for profile Kömmerling Combidur MPF, AV, Kömmerling Eurodur 3S  
Schüco System AS, M + A

**Type 3** for profile Rehau S 730, S 735

**Type 4** for profile VEKAPLAST Softline AD

**Type 5** for profile Brüggmann HF 61, 66, 67, 90

**Type 7** for profile Gealan System S 3000

**Type 8** for profile Kömmerling Combidur MPF, AV, Kömmerling Eurodur 3S

**Type 9** for profile Brüggmann Serie 81

**Type 10** for profile Rehau S 702, S 704, S 705, S 711

**Type 11** for profile Trocal Serie 900

**Type 12** for profile LB-Profile

**Type 13** for profile Kömmerling Combidur

**Type 1 L** as Type 1, but with long strip

**Type 4 L** as Type 4, but with long strip

#### Finishes available:

galvanised

#### Packing unit:

100 pieces

#### Technical details:

Version	Material mm
277/1 - 277/13	143 x 25 x 1.25
277/1 L - 277/ 4 L	188 x 25 x 1.5



### SIKU fixing lug no. 278

Nail holes Ø 5.0 mm

plug holes Ø 8.5 mm

**Type 1** for profile Rehau S 701

**Type 2** for profile Golde-Ideal

**Type 3** for profile Rehau S 730, S 735 (Solbank)

**Type 4** for profile Trocal Serie 900

**Type 5** for profile KBE, Thyssen

#### Finishes available:

galvanised

#### Packing unit:

100 pieces

#### Technical details:

Material mm
38 x 2

## Steel frame anchor

## FASTENING MEANS

### Quick fastening anchor no. 420

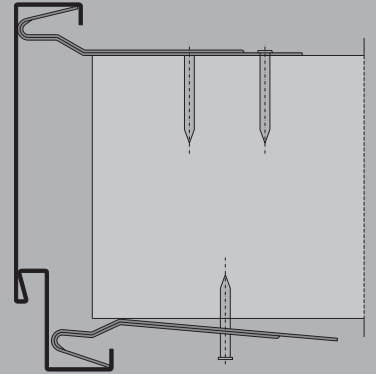
for steel frames, frame width 28 - 30 mm

**Finishes available:**

galvanised

**Packing unit:**

100 pieces



**Technical details:**

Size mm	Material mm
130	20 x 1.25

### Joint anchor no. 421

for steel frames, frame width 28 - 30 mm

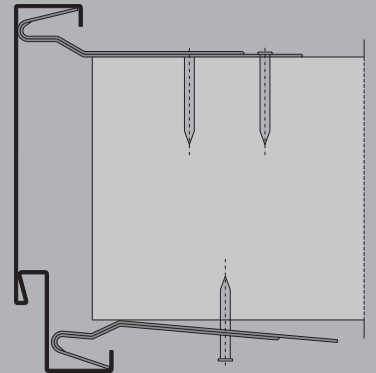
**With the joint anchor no. 421, steel frames can be rationally installed in exposed brickwork.**

**Finishes available:**

galvanised

**Packing unit:**

100 pieces



**Technical details:**

Size mm	Material mm
130	20/11 x 1.25

### Wire anchor no. 424

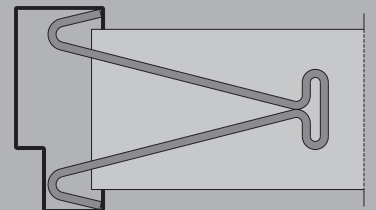
for steel frames

**Finishes available:**

galvanised

**Packing unit:**

100 pieces

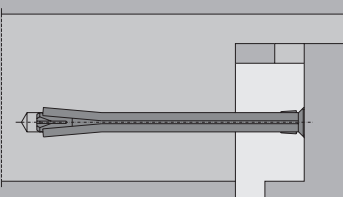
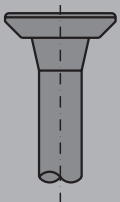
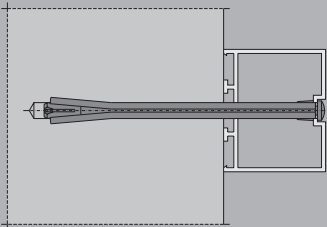
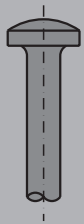
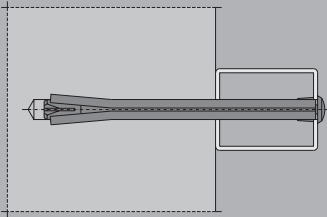
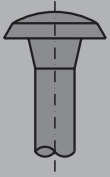


**Technical details:**

Size mm	Material mm
140	Ø 4

## SIKU plug for window and door frames

### FASTENING MEANS



### SIKU plug no. 192

Metal frame plug with 10 mm Ø, fillister head

**Finishes available:**

galvanised

**Packing unit:**

50 pieces

**Technical details:**

Sleeve length mm 75, 90, 110, 130, 150, 180, 200

Drilling diameter mm 10



### SIKU plug no. 194

Metal frame plug with 8 mm Ø, fillister head

**Finishes available:**

galvanised

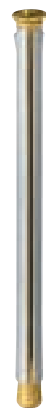
**Packing unit:**

50 pieces

**Technical details:**

Sleeve length mm 75, 110, 130, 160

Drilling diameter mm 8



### SIKU plug no. 195

Metal frame plug with 10 mm Ø, countersunk head

**Finishes available:**

galvanised

**Packing unit:**

50 pieces

**Technical details:**

Sleeve length mm 75, 90, 110, 130, 150, 180, 200

Drilling diameter mm 10

### Cover cap no. 196

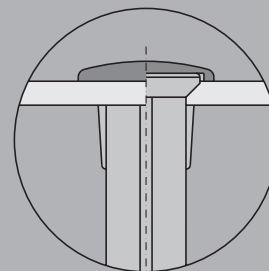
Plastic caps for SIKU plug no. 192 and no. 195

**Finishes available:**

white and brown

**Packing unit:**

100 pieces in bag



### Cover cap no. 197

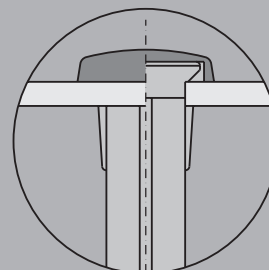
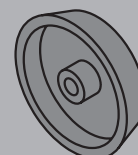
Plastic caps for SIKU plug no. 192 and no. 195

**Finishes available:**

white and brown

**Packing unit:**

100 pieces in bag



Your SIMONSWERK-partner:



**Hinges & Things Ltd.**

Burcot Works, Spring Street,  
Tipton, West Midlands DY4 8TF  
Phone 0121 522 2848  
Fax 0121 557 7042  
Internet: [www.hinges-things.co.uk](http://www.hinges-things.co.uk)  
eMail: [sales@hinges-things.co.uk](mailto:sales@hinges-things.co.uk)

**SIMONSWERK GmbH**

Bosfelder Weg 5  
D-33378 Rheda-Wiedenbrück  
Phone + 49 (0) 52 42 / 4 13-0  
Fax + 49 (0) 52 42 / 4 13-2 60  
Internet: [www.simonswerk.de](http://www.simonswerk.de)  
eMail: [mail@simonswerk.de](mailto:mail@simonswerk.de)