

V 1999 Finger Protection

for doors with finger protection function on the hinge side for retrofitting on timber, steel and aluminium frames



Product features

- for rebated and unrebated doors
- for timber, steel or aluminium frames
- easy and rational installation
- door height up to 2110 mm
- door thickness from 39-45 mm
- maintenance-free slide bearings
- opening angle max. 135° (rebated) / max. 90° (unrebated)

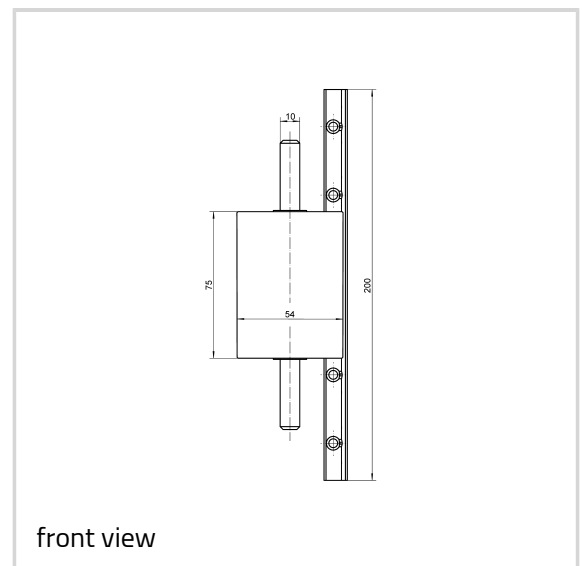
Technical details

| Attributes | Value |
|----------------------|---------|
| Load capacity | 60.0 kg |
| Cutter diameter | 24.0 mm |
| Collar ring diameter | 30.0 mm |

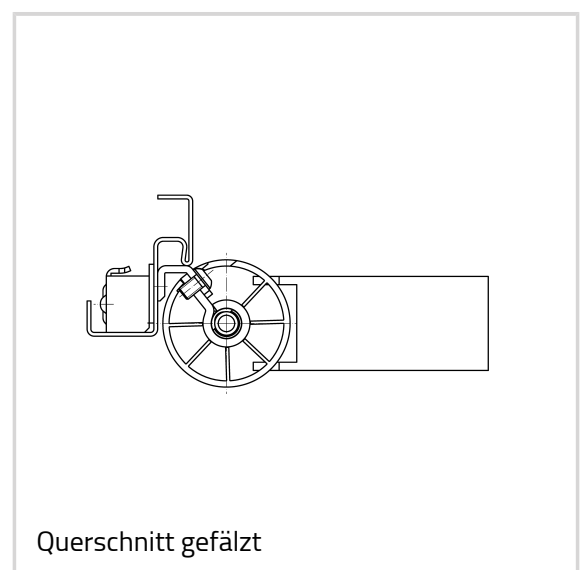
Note

The load capacity mentioned above refers to the use of 2 hinges per door leaf (1 x 2 m), for detailed information please look at the chapter "technical information".

If necessary, the maximum opening angle must be ensured by means of an opening restraint.



front view



Querschnitt gefälzt

VARIANT V - V 1999 Finger Protection

The system is designed for a door height of max. 2110 mm.
Other door heights are available on request.

Scope of supply

2 x V 1999 Finger Protection hinges (glossy nickel-plated)
3 x round profile made of wood/wood material
2 x round profile end piece (for rebated and unrebated doors)
1 x brush seal (black)
1 x soft rubber for punching out latch bolts (grey)
1 x bag of accessories with fixing screws for timber frames
1 x bag of accessories with fixing screws for steel and aluminium frames

Function range



Finger protection

Item

| | |
|------------|-------------------------|
| Finish(es) | coloured (079) |
| OF-NR. | 079 |
| VPE | 1 set (2 pieces) |
| DIN | DIN right and left hand |
| Item No. | 5 011502 0 07990 |
| EAN | 4015471125912 |

