

VN 3738/160 FD

for rebated soundproof doors with acoustic seal with casing frames and as retrofit hinge with steel frames



Product features


- for rebated soundproof doors
- with groove for continuous acoustic seal
- for casing and steel frames
- for VARIANT VS receiver and blind rivet nut M 10
- internal torsion-proof pin
- concealed, maintenance-free axial-radial slide bearings

Technical details

Attributes	Value
Load capacity	160.0 kg
Knuckle length	160.0 mm
Knuckle diameter	22.5 mm
Pin diameter	10.0 mm
Cutter diameter	24.0 mm
Collar ring diameter	30.0 mm
Material thickness	3.5 mm
Screws	5.0 x 50.0 mm
Screws for cover plate	3.0 x 25.0 mm

Quality marks

 Certification CE

 Certification IFT

Classification key

4	7	7	1 ^{*1}	1	— ^{*2}	1	14
---	---	---	-----------------	---	-----------------	---	----

^{*1} Test evidence for functional doors to be achieved with full door sets and assemblies.

^{*2} depending on the finish

VARIANT VN - VN 3738/160 FD

Note

The load capacity mentioned above refers to the use of 2 hinges per door leaf (1 x 2 m), for detailed information please look at the chapter "technical information".

For the installation the blind rivet nut M 10 and iron washers with 10 mm diameter have to be ordered separately.

Also available with security pin (MSTS).

Screws 4,5 x 50,0 mm can be used as an alternative for lowering the depth.

Suitable for

Universal milling frame

Plug-on drilling jig VARIANT VN 3700/160

Serial drilling jig VARIANT VN 3700/160

Template 5 250572 5

Combinations

Blind rivet nut M 10

VS 4600/7

VS 4600/9

Function range



Fire resistance



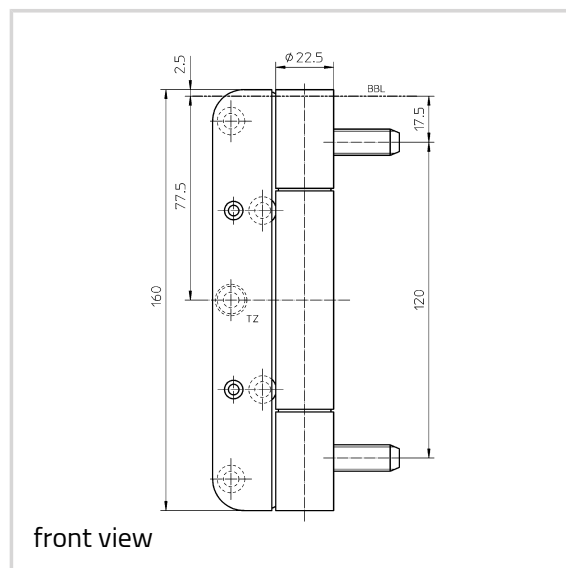
Smoke resistance



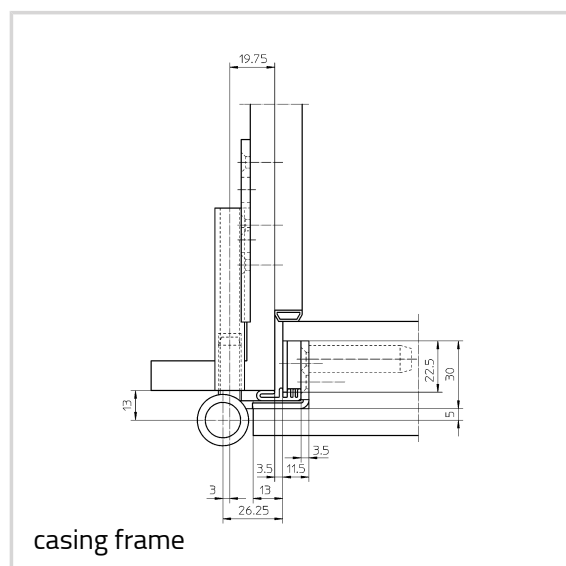
Soundproof

Item

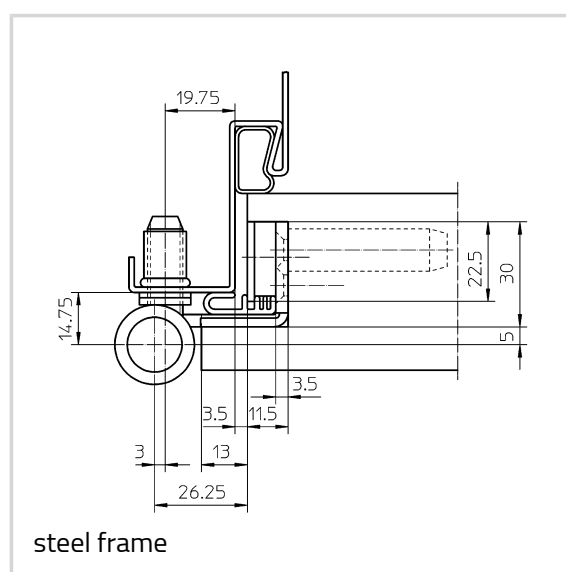
Finish(es)	Satin Stainless Steel (040)
OF-NR.	040
VPE	Pack of 2
DIN	DIN right and left hand
Item No.	5 050536 0 04002



front view



casing frame



steel frame

VARIANT VN - VN 3738/160 FD

EAN

4015471026479