

VN 8938/160 U FD

for rebated soundproof doors with acoustic seal and as retrofit hinge with steel frames



Product features

- for rebated soundproof doors
- with groove for continuous acoustic seal
- for steel frames
- for VARIANT V receiver and blind rivet nut M 10
- internal torsion-proof pin
- concealed, maintenance-free axial-radial slide bearings

Technical details

Attributes	Value
Load capacity	160.0 kg
Knuckle length	160.0 mm
Knuckle diameter	22.5 mm
Pin diameter	10.0 mm
Cutter diameter	24.0 mm
Collar ring diameter	30.0 mm
Material thickness	3.5 mm
Screws	5.0 x 50.0 mm
Screws for cover plate	3.0 x 25.0 mm

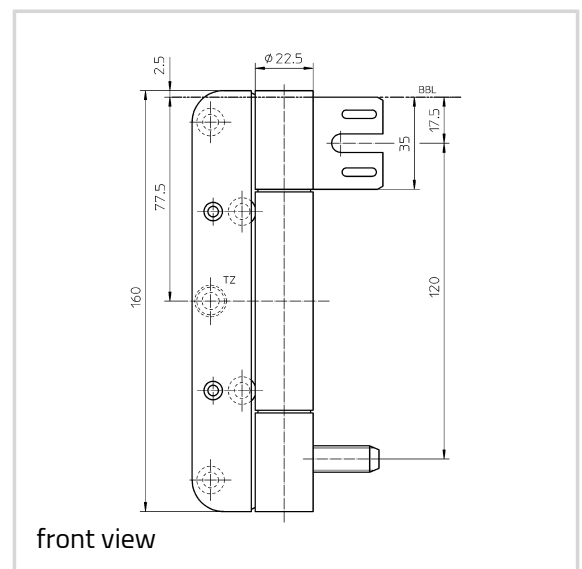
Quality marks



Certification IFT



Certification CE



VARIANT VN - VN 8938/160 U FD

Note

The load capacity mentioned above refers to the use of 2 hinges per door leaf (1 x 2 m), for detailed information please look at the chapter "technical information".

Also available with security pin (MSTS).

Please consider DIN reference.

Screws 4,5 x 50,0 mm can be used as an alternative for lowering the depth.

Combinations

Blind rivet nut M 10
V 8600
V 8610

Function range



Fire resistance



Smoke resistance



Soundproof

Item

Finish(es)	Satin Stainless Steel (040)
OF-NR.	040
VPE	Pack of 2
DIN	DIN right hand
Item No.	5 050834 1 04002
EAN	4015471070397
Finish(es)	Satin Stainless Steel (040)
OF-NR.	040
VPE	Pack of 2
DIN	DIN left hand
Item No.	5 050834 2 04002
EAN	4015471070403

