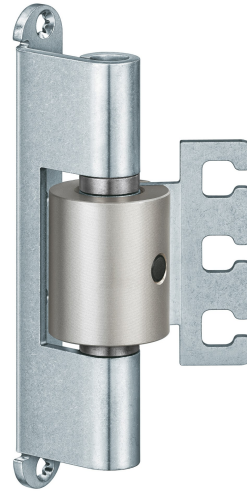


VX 7099 Finger Protection

for doors with finger protection function on timber and steel frames



Product features

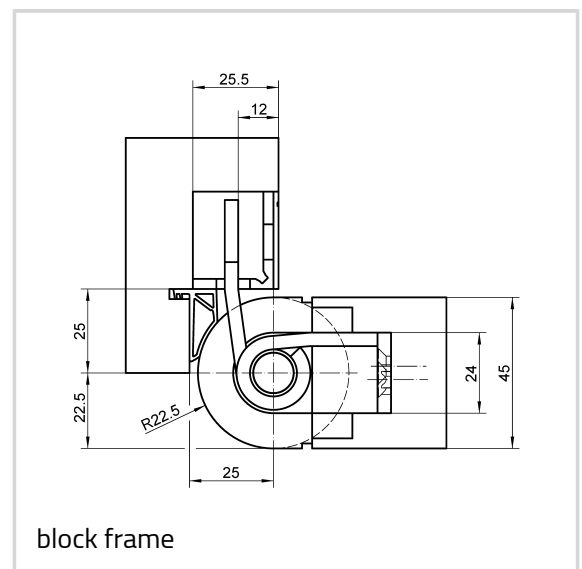
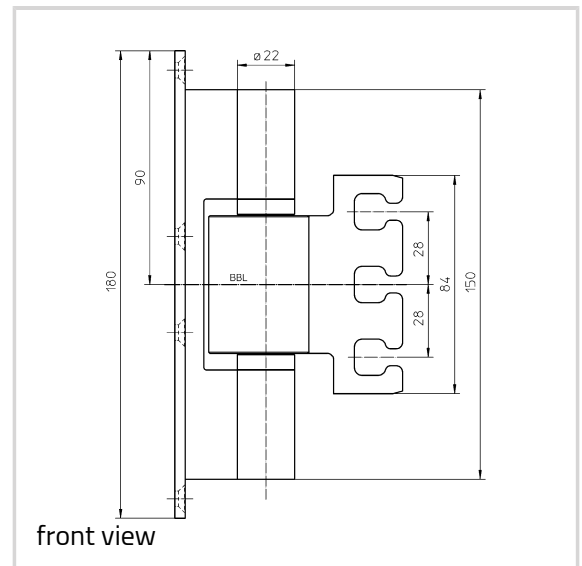
- for rebated and unrebated doors
- for timber and steel frames
- for 3D adjustable VARIANT VX receivers
- door thickness 45 mm
- opening angle max. 100° (rebated) / max. 90° (unrebated)

Technical details

Attributes	Value
Load capacity	120.0 kg
Knuckle length	150.0 mm
Knuckle diameter	22.0 mm
Cutter diameter	24.0 mm
Collar ring diameter	30.0 mm
Material thickness	4.0 mm
Screws	5.0 x 50.0 mm

Note

The load capacity mentioned above refers to two hinges per door leaf (1 x 2 m). Also the load capacities of the respective



VARIANT VX - VX 7099 Finger Protection

combined receiver have to be taken into consideration. For detailed information please look at the chapter "technical information".

The frames (block, casing and steel frame) are custom-made.

If necessary, the maximum opening angle must be ensured by means of an opening restraint.

Scope of supply

- 1 x cover angle + cover plate VX 7560 finger protection
- 1 x plug
- 2 x countersunk screws

Combinations

- VX 7501 3D
- VX 7502 3D
- VX 7505 3D
- VX 7511 3D
- VX 7512 3D
- Dichtung DS 7411

Function range



Finger protection

Item

Finish(es)	Stainless Steel Look (SSL) (126)
OF-NR.	126
VPE	Pack of 2
DIN	DIN right and left hand
Item No.	5 051710 0 12602
EAN	4015471113872

