

VX 7511 3D

for rebated and unrebated doors with steel frames



Product features

- for rebated and unrebated doors
- for steel frames
- for heavy-duty hinges VARIANT VN and VARIANT VXG
- continuous 3D adjustment (side +/- 3,0 mm, height +/- 3,0 mm, compression +/- 3,0 mm)
- with weld nuts

Technical details

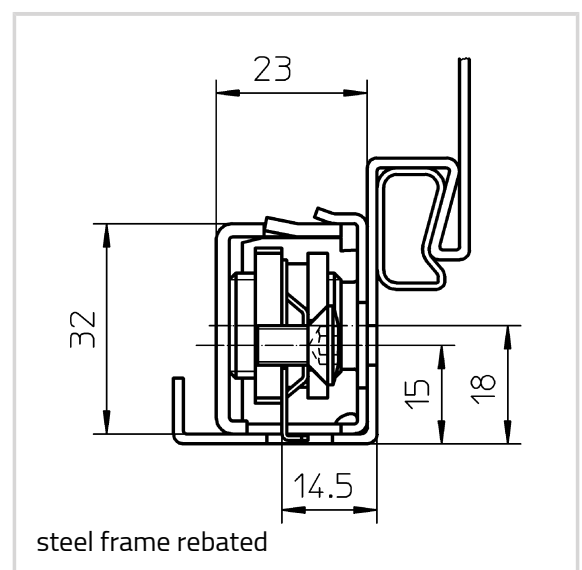
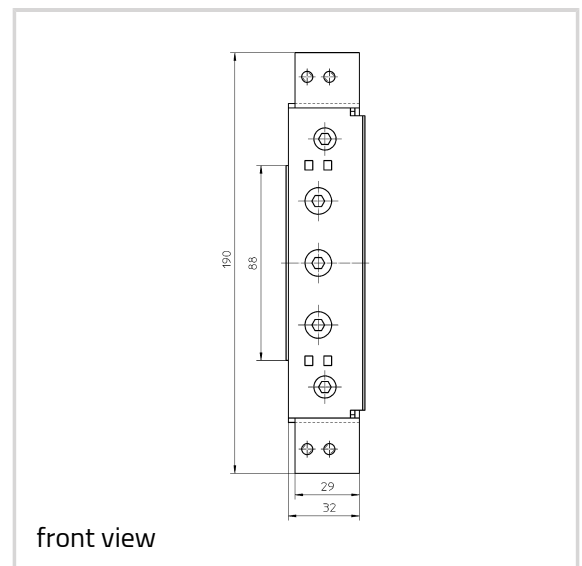
Attributes	Value
Load capacity	200.0 kg

Note

The load capacity mentioned above refers to two hinges per door leaf (1 x 2 m). Also the load capacities of the respective combined receiver have to be taken into consideration. For detailed information please look at the chapter "technical information".

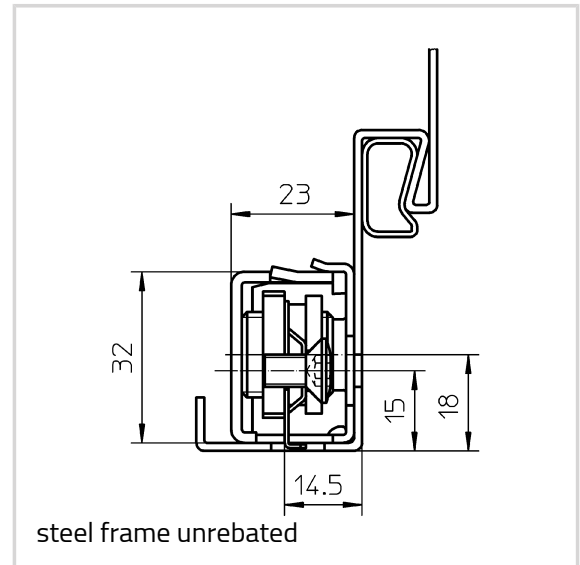
Als available as VX 7511 3D ER made of solid stainless steel.

Combinations



VARIANT VX - VX 7511 3D

VX 7939/120
 VX 7939/160 Planum
 VX 7939/160 FD Planum
 VX 7939/160 18-3
 VX 7939/160 18-3 FD
 VX 7939/160
 VX 7939/160 FD
 VX 7939/160 S
 VX 7939/160 FD S
 VX 7939/160 S WK MSTs
 VX 7939/160 FD S WK MSTs
 VX 7939/160-4
 VX 7939/160-4 FD
 VX 7939/160-4 Bronze
 VX 7939/160-4 Bronze FD
 VX 7099 Finger Protection
 VX 7728/100
 VX 7728/120
 VX 7859/120
 VX 7728/160
 VX 7859/160-4
 VX 7859/160-4 FD
 VX 7720/100
 VX 7729/100
 VX 7729/120
 VX 7729/160 Planum
 VX 7729/160 18-3
 VX 7729/160
 VX 7729/160-4
 VX 7749/160-4 40 Care
 VX 7749/160-4 45 Care
 VX 7749/160-4 50+65 Care
 VX 7749/160-4 70 Care
 VX 7729/160-4 Bronze
 VXG 7990/100
 VXG 7990/100 K
 VXG 7990/120
 VXG 7990/120 K
 VXG 7780/100
 VXG 7780/100 K
 VXG 7780/120
 VXG 7780/120 K
 V 7900 WF VX-1



Item

Finish(es)	blue galvanized (010)
OF-NR.	010
VPE	Pack of 10
DIN	DIN right and left hand
Item No.	5 071800 0 01006
EAN	4015471122096

VARIANT VX - VX 7511 3D

Finish(es)	Stainless Steel untreated (041)
OF-NR.	041
VPE	Pack of 10
DIN	DIN right and left hand
Item No.	5 071800 0 04106
EAN	4015471130725