

VX 7512 3D

for rebated and unrebated doors with steel frames



Product features

- for rebated and unrebated doors
- for steel frames
- for heavy-duty hinges VARIANT VN and VARIANT VXG
- continuous 3D adjustment (side +/- 3,0 mm, height +/- 3,0 mm, compression +/- 3,0 mm)
- without weld nuts

Technical details

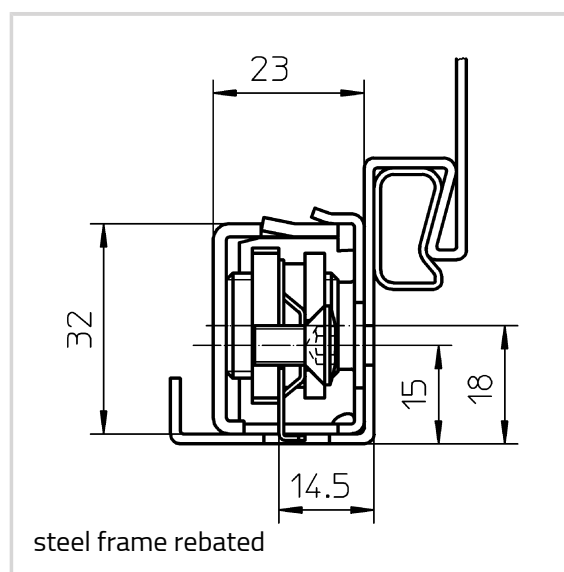
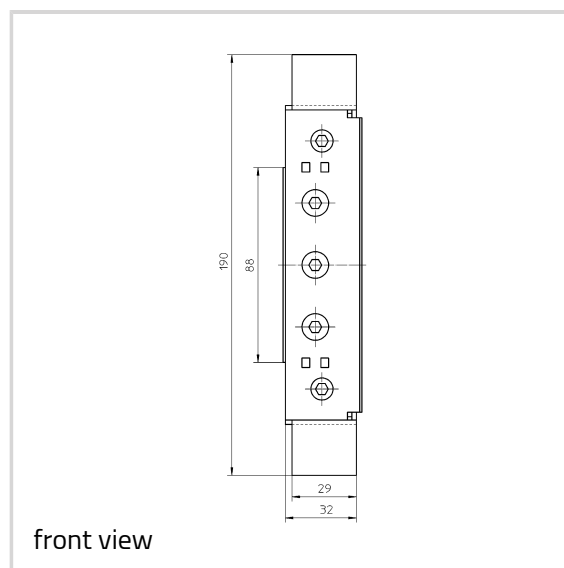
Attributes	Value
Load capacity	200.0 kg

Note

The load capacity mentioned above refers to two hinges per door leaf (1 x 2 m). Also the load capacities of the respective combined receiver have to be taken into consideration. For detailed information please look at the chapter "technical information".

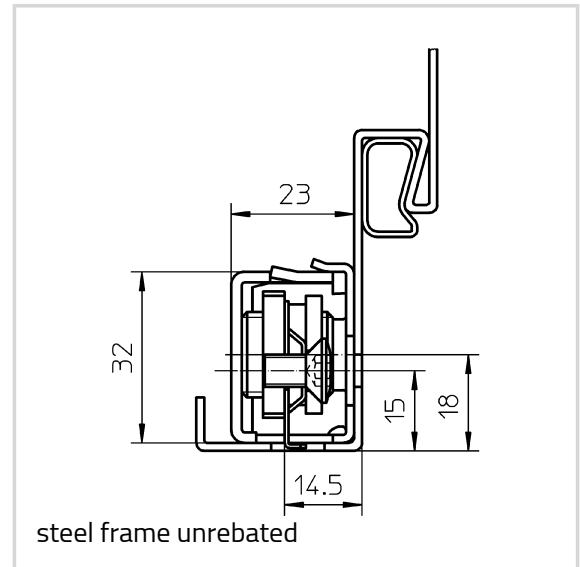
Combinations

VX 7939/120



VARIANT VX - VX 7512 3D

VX 7939/160 Planum
 VX 7939/160 FD Planum
 VX 7939/160 18-3
 VX 7939/160 18-3 FD
 VX 7939/160
 VX 7939/160 FD
 VX 7939/160 S
 VX 7939/160 FD S
 VX 7939/160 S WK MSTs
 VX 7939/160 FD S WK MSTs
 VX 7939/160-4
 VX 7939/160-4 FD
 VX 7939/160-4 Bronze
 VX 7939/160-4 Bronze FD
 VX 7099 Finger Protection
 VX 7728/100
 VX 7728/120
 VX 7859/120
 VX 7728/160
 VX 7859/160-4
 VX 7859/160-4 FD
 VX 7720/100
 VX 7729/100
 VX 7729/120
 VX 7729/160 Planum
 VX 7729/160 18-3
 VX 7729/160
 VX 7729/160-4
 VX 7749/160-4 40 Care
 VX 7749/160-4 45 Care
 VX 7749/160-4 50+65 Care
 VX 7749/160-4 70 Care
 VX 7729/160-4 Bronze
 VXG 7990/100
 VXG 7990/100 K
 VXG 7990/120
 VXG 7990/120 K
 VXG 7780/100
 VXG 7780/100 K
 VXG 7780/120
 VXG 7780/120 K
 V 7900 WF VX-1



Item

Finish(es)	blue galvanized (010)
OF-NR.	010
VPE	Pack of 10
DIN	DIN right and left hand
Item No.	5 071810 0 01006
EAN	4015471122164

VARIANT VX - VX 7512 3D

Finish(es)	Stainless Steel untreated (041)
OF-NR.	041
VPE	Pack of 10
DIN	DIN right and left hand
Item No.	5 071810 0 04106
EAN	4015471130756