

VX 7939/120

for rebated heavy-duty doors



Product features

- for rebated heavy-duty doors
- for timber, steel or aluminium frames
- for 3D adjustable VARIANT VX receivers
- internal torsion-proof pin
- concealed, maintenance-free axial-radial slide bearings

Technical details

Attributes	Value
Load capacity	120.0 kg
Knuckle length	120.0 mm
Knuckle diameter	20.0 mm
Pin diameter	10.0 mm
Cutter diameter	24.0 mm
Collar ring diameter	30.0 mm
Material thickness	3.5 mm
Screws	5.0 x 50.0 mm

Note

The load capacity mentioned above refers to two hinges per

Quality marks

 Certification CE

 Certification IFT

Classification key

4	7	6	1 ^{*1}	1	— ^{*2}	1	13
---	---	---	-----------------	---	-----------------	---	----

*¹ Test evidence for functional doors to be achieved with full door sets and assemblies.

*² depending on the finish

VARIANT VX - VX 7939/120

door leaf (1 x 2 m). Also the load capacities of the respective combined receiver have to be taken into consideration. For detailed information please look at the chapter "technical information".

Also available with security pin (MSTS).

Suitable for

Universal milling frame

Template 5 250564 5

Combinations

VX 2501 3D N

VX 7501 3D

VX 2502 3D N

VX 7502 3D

VX 2505 3D N

VX 7505 3D

VX 2511 3D

VX 7511 3D

VX 7512 3D

VX 7521 3D

Function range



Fire resistance

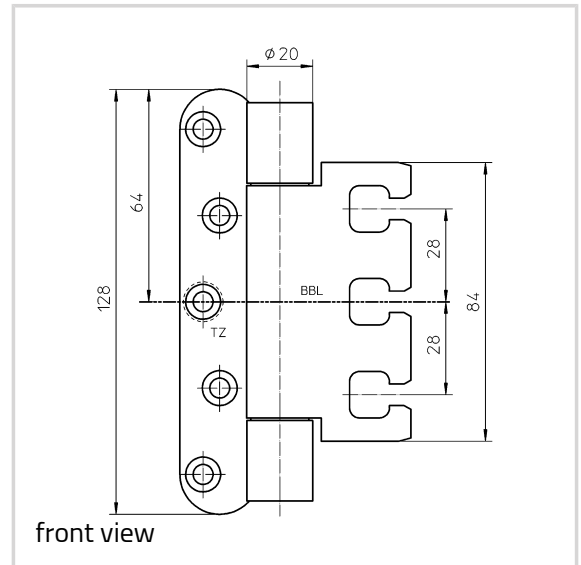


Smoke resistance

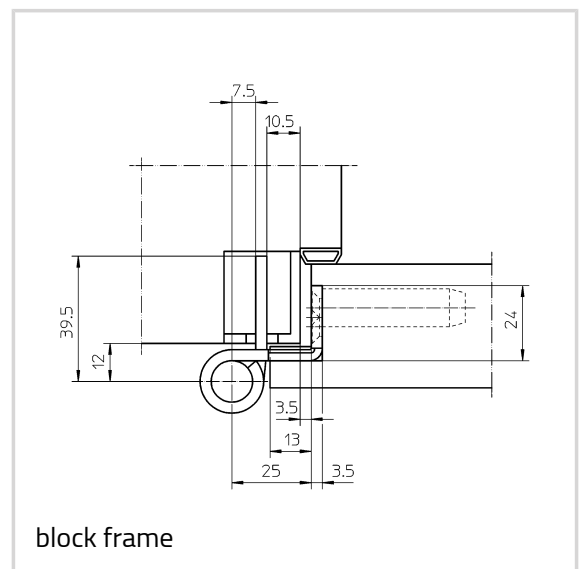
Item

Finish(es)	satin nickelled/F2 (018)
OF-NR.	018
VPE	Pack of 2
DIN	DIN right and left hand
Item No.	5 040567 0 01802
EAN	4015471024291

Finish(es)	satin nickelled/F2 (018)
OF-NR.	018



front view



block frame

VARIANT VX - VX 7939/120

VPE	Pack of 20
DIN	DIN right and left hand
Item No.	5 040567 0 01807
EAN	4015471028558
Finish(es)	polished brassed (030)
OF-NR.	030
VPE	Pack of 2
DIN	DIN right and left hand
Item No.	5 040567 0 03002
EAN	4015471021559
Finish(es)	satin chromed/F1 (037)
OF-NR.	037
VPE	Pack of 2
DIN	DIN right and left hand
Item No.	5 040567 0 03702
EAN	4015471024307
Finish(es)	Satin Stainless Steel (040)
OF-NR.	040
VPE	Pack of 2
DIN	DIN right and left hand
Item No.	5 040567 0 04002
EAN	4015471009045
Finish(es)	Satin Stainless Steel (040)
OF-NR.	040
VPE	Pack of 20
DIN	DIN right and left hand
Item No.	5 040567 0 04007
EAN	4015471028565
Finish(es)	pol. Stainless Steel (042)
OF-NR.	042
VPE	Pack of 2
DIN	DIN right and left hand
Item No.	5 040567 0 04202
EAN	4015471074142
Finish(es)	RAL 9005 Matte Black (107)
OF-NR.	107
VPE	Pack of 2
DIN	DIN right and left hand

VARIANT VX - VX 7939/120

Item No.	5 040567 0 10702
EAN	4015471137762